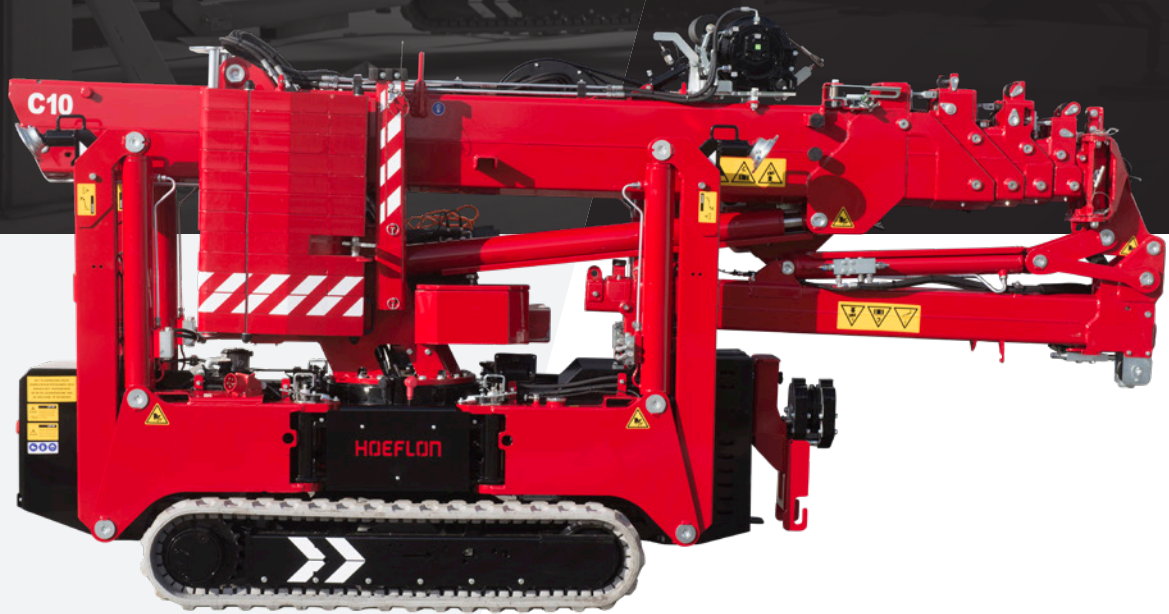


HOEFLOON

C10

LARGE
POWERHOUSE

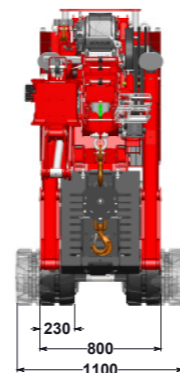
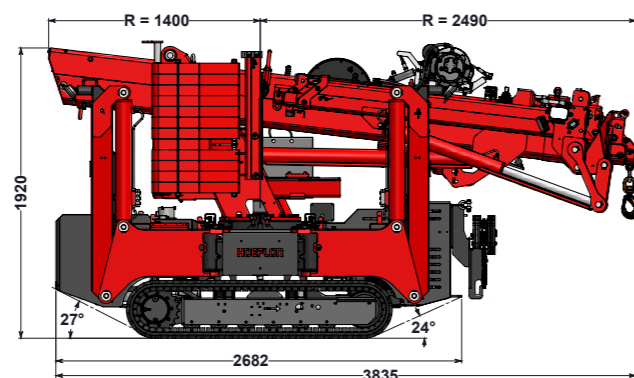
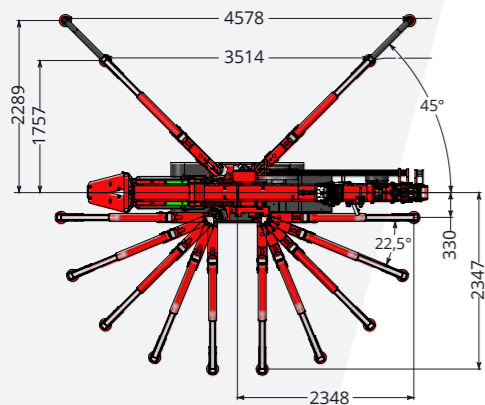
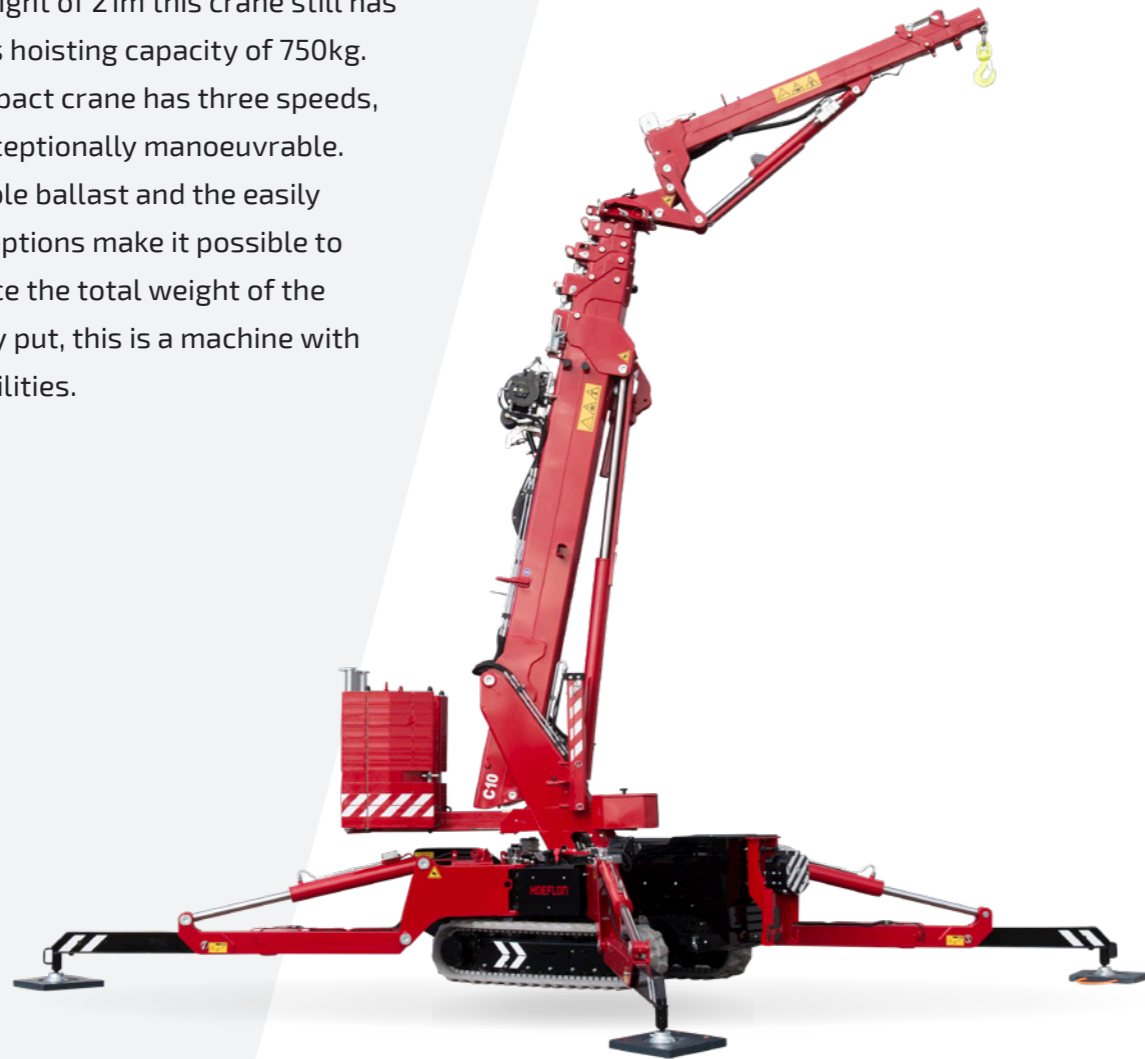


HOEFLOON[®]



HOEFLON C10

Lift 4000kg in the Netherlands without a crane permit. You can with our C10 compact crane, making it the perfect choice for heavier work in industry and steel erection. Even at a hoisting height of 21m this crane still has an enormous hoisting capacity of 750kg. The C10 compact crane has three speeds, making it exceptionally manoeuvrable. The removable ballast and the easily detachable options make it possible to quickly reduce the total weight of the crane. Simply put, this is a machine with many possibilities.



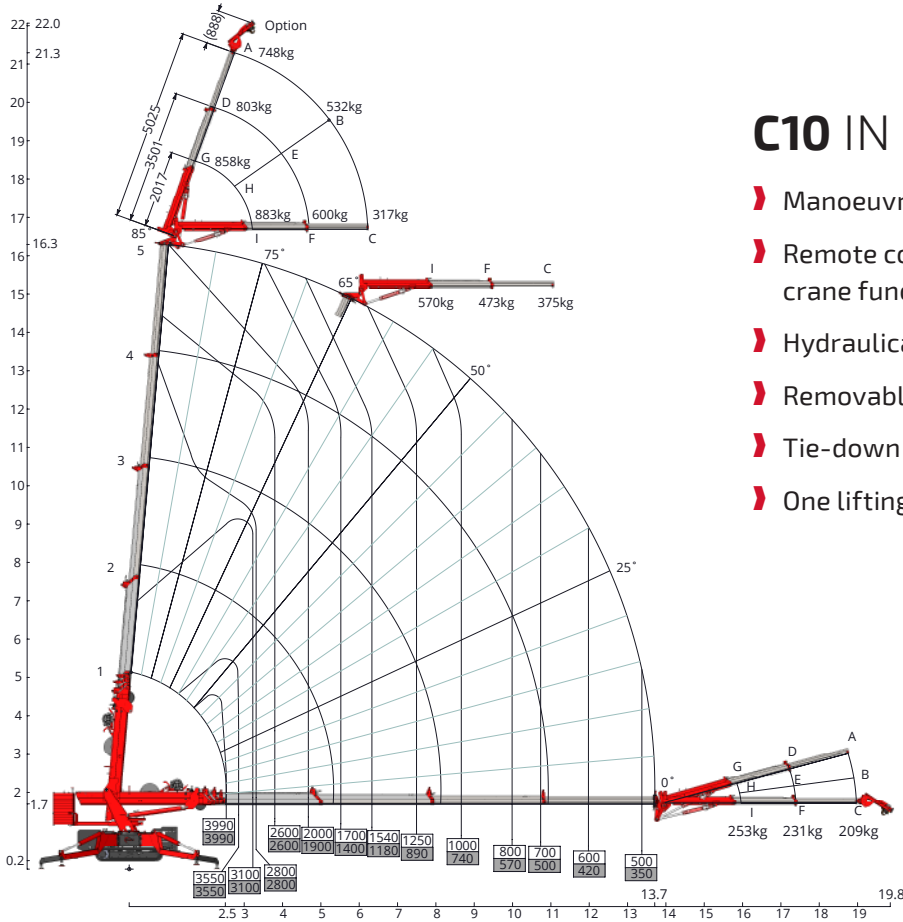
Standard configuration

Capacity	4.000kg
Boom outreach	13.7m, and 19.8m with options
Hoisting height	16.3m, and 22m with options
Transport dimensions LxWxH	3.93m x 0.80m x 1.97m
Total weight	4.400kg, and 4.700kg with options
Boom angle	-5° to 83°
Boom system	Cylinder and chain system
Slewing angle	360°
Driving speed	1st gear: 1.1km/h 2nd gear: 2.3km/h 3rd gear: 2.9km/h
Engine	Yanmar 3-cylinder diesel
Inclination angle, driving	20°
Outrigger pressure	4.500kg per outrigger
Ground pressure, tracks	0.72kg/cm ²
Extendible, removable ballast	1.340kg
Noise	75dB

Accessories/Options

Dimensions including winch and jib	4.15m x 0.80m x 2.07m
Fly jib 1	5.0m
Winch 2	1.000kg, 2.000kg and 4.000kg
Hoisting speed with winch	20.8m/min
Winch cable	50m long
Extension section 3	30° adjustable
Electric motor	400V / 3 phase
Slewing	unlimited
Crawler 4	non-marking
Lighting	work light on boom and jib
Speed controller	900 to 1,700rpm
Storage box 5	extra storage box





C10 IN A NUTSHELL

- › Manoeuvrable with extreme precision
- › Remote control for outrigger, driving and crane functions
- › Hydraulically expandable tracks
- › Removable and extendible ballast
- › Tie-down hooks for trailer
- › One lifting point

With fly-jib

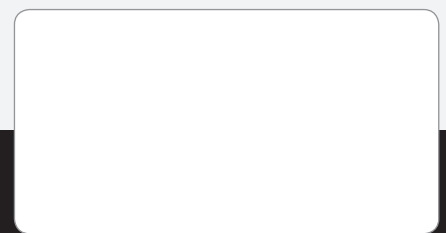
No rights can be derived from the information stated here.



WHY HOEFLON?

Hoeflon transport solutions are extremely versatile, making them perfect for moving heavy materials in close quarters or difficult-to-reach areas at project sites. We are happy to offer advice concerning the best solution for your situation. Ask us about the possibilities!

Your Hoeflon® dealer ▶



HOEFLON®

Made in Holland

Hoeflon International B.V.

address Zwolleweg 2 3771 NR Barneveld, The Netherlands

tel. +31 (0)342 400288 email info@hoeflon.com

HOEFLON.COM